

METALMASTER

**1/2 TONNE
WLL**



**WT16-LFK2
500kg WLL
Total Capacity
as a pair**

(W07820)

**1 TONNE
WLL**



**WT28-LFK2
1000kg WLL
Total Capacity
as a pair**

(W08290)

Edition : 1.0
Date: (01/26)

LIFTING GUIDE

WELDING TABLE LIFTING KITS WT16-LFK2, WT28-LFK2

Order Code: (W07820, W08290)

Welding Table Lifting Clamps - Safety Guidelines

METALMASTER Lifting Clamps are specifically designed for the safe lifting and transportation of welding tables.

The WT16-LFK2 & WT28-LFK2 lifting Kit makes lifting welding tables from overhead safe and easy. Each WT16-LFK2 bracket has a lifting capacity of 250kg and requires four clamping bolts and fits Ø16mm table holes. Each WT28-LFK2 bracket has a lifting capacity of 500kg and requires four clamping bolts and fits Ø28mm table holes.

When using lifting clamps, all users must comply with general material-handling safety rules and relevant workplace regulations.

General Safety Requirements

- Ensure all eye nuts are fully threaded and sit flat against the bearing surface before lifting.
- Confirm that clamping bolts are fully seated and tightened against the lifting bracket to achieve full clamping capacity.
- Verify that the lifting clamps are correctly positioned and securely attached before commencing any lift.
- Objects must not be lifted more than 100mm off the ground.
- Personnel must never stand or pass underneath suspended loads.

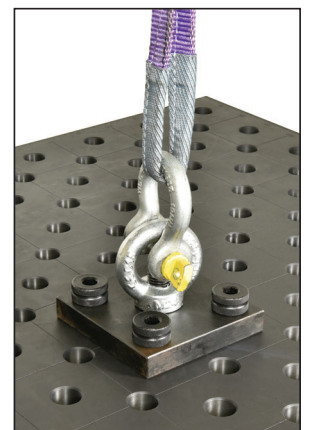
Load and Lifting Considerations

- Avoid applying lateral or side loads to the lifting bracket eye nut, as this will significantly reduce its load capacity.
- Always use lift slings, chains, and accessories with the correct Working Load Limit (WLL), and ensure they are certified and compliant with Australian Standards.
- Check the total weight of the welding table prior to lifting.
- Use the correct number of lifting clamps to ensure the combined WLL exceeds the weight of the table being lifted.
- Larger welding tables require a minimum of four (4) lifting clamps to achieve safe load distribution and correct WLL capacity.

Inspection and Planning

- Inspect lifting clamps, bolts, and eye nuts for damage or wear before each use
- Do not use damaged, worn, or modified lifting equipment.
- Plan the lift in advance and ensure the load remains stable and level at all times.

Please refer to the tables below for recommended welding table sizes and the corresponding quantity of lifting clamps required for safe transportation.



Check Your Welding Table Lifting Requirements

See the chart below for recommended METALMASTER Lifting Clamp quantities for each table model.

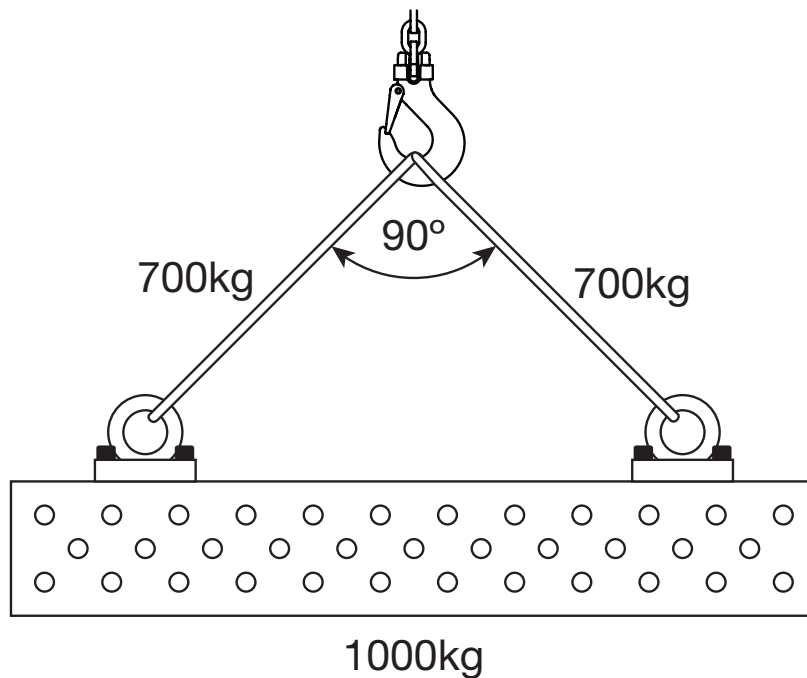
TABLE SIZE MODEL CODE	WELDING TABLE	NETT WEIGHT	RECOMMENDED LIFTING KITS / QTY	LIFTING Configuration
1200 x 1200mm WT16-1212N (W07809)		264kg	1 x WT16-LFK2 500kg	
2000 x 1000mm WT16-2010 (W07804)		315kg	1 x WT16-LFK2 500kg	
2000 x 1000mm WT16-2010N (W07811)		315kg	1 x WT16-LFK2 500kg	
2400 x 1200mm WT16-2412N (W07812)		431kg	2 x WT16-LFK2 500kg	
2400 x 1200mm WT28-2412CST (W08227)		866kg	1 x WT28-LFK2 1000kg	
3000 x 1500mm WT28-3015CST (W08230)		1,398kg	2 x WT28-LFK2 2000kg	
1500 x 1500mm WT28-1515N (W08254)		690kg	1 x WT28-LFK2 1000kg	
2000 x 1000mm WT28-2010N (W08255)		655kg	1 x WT28-LFK2 1000kg	
2400 x 1200mm WT28-2412N (W08257)		901kg	1 x WT28-LFK2 1000kg	
3000 x 1500mm WT28-3015N (W08260)		1380kg	2 x WT28-LFK2 2000kg	

Lifting Angle – Safety Information

Always refer to lifting and handling safety charts when selecting slings or chains with the correct Working Load Limit (WLL).

Lifting at an angle reduces the effective load capacity of slings and chains and must be accounted for during lift planning.

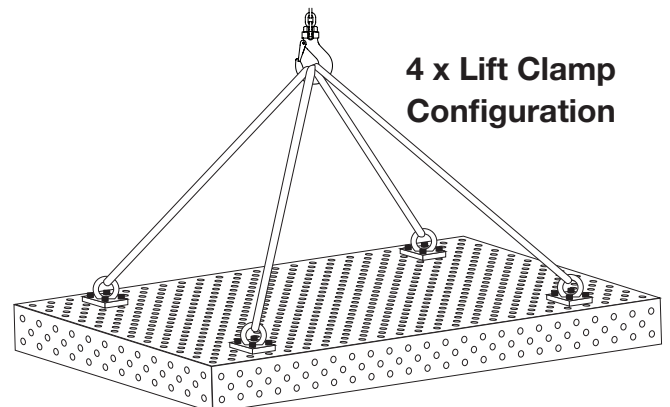
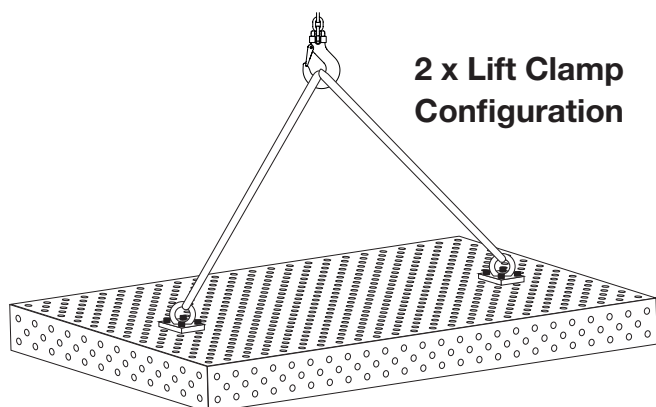
For example, lifting a 1,000 kg load at a 90° angle requires two (2) slings or chains, each with a minimum 700 kg WLL.



Recommended Lifting Configurations

Please refer to the recommended lifting requirements for your welding table model. (See Page 3)

Heavier tables require four (4) lifting clamps, while lighter tables require two (2) lifting clamps.



IMPORTANT INFORMATION

1 Year Limited Warranty

METALMASTER offers a one year limited warranty on this product.

METALMASTER warrants to the original retail consumer and purchaser that this product will be free from defects in materials and workmanship for one year from the date the product was purchased ('the warranty period').

METALMASTER will rectify any defect in materials or workmanship appearing within the warranty period by repairing or replacing the product. METALMASTER will offer a refund of the purchase price if the product cannot be readily and quickly repaired or replaced. METALMASTER reserves the right to determine whether the product contains any defects in materials or workmanship covered by this warranty.

The benefits offered by this warranty are in addition to your rights and remedies that may apply in law. Our goods come with guarantees that cannot be excluded under the Australian Consumer Law. You are entitled to a replacement or refund for a major failure and for compensation for any other reasonable foreseeable loss or damage. You are also entitled to have the goods repaired or replaced if the goods fail to be of acceptable quality and the failure does not amount to a major failure.

How to make a warranty claim

To make a claim under this warranty, the product or part must be returned for examination to an authorised service centre nominated by Hare and Forbes Machineryhouse together with proof of purchase such as the dated sales receipt and an explanation of the problem to be rectified.

Any costs incurred in making a claim under this warranty or returning the product to an authorised service centre is to be borne by the person making the claim unless otherwise agreed by Hare and Forbes Machineryhouse. If Hare and Forbes Machineryhouse determines the product contains a defect in materials or workmanship that is covered by this warranty then Hare and Forbes Machineryhouse will bear the cost of returning the repaired product or replacement product to the person making the claim. If We determines the product does not contain a defect in materials or workmanship covered by this warranty then the cost of returning the product will be at the expense of the person making the claim.

Warranty Exclusions

The warranty does not apply in the following cases:

- Unauthorised modification, disassembly, repair, or replacement of the whole unit or any internal components, or damage caused by improper or artificial handling.
- Damage resulting from incorrect installation, improper use, misuse, negligence, or accidental impact.



ENVIRONMENT PROTECTION

Recycle unwanted materials instead of disposing of them as waste. All tools, accessories and packaging should be sorted, taken to a recycling centre and disposed of in a manner which is compatible with the environment. When the product becomes completely unserviceable and requires disposal, drain any fluids (if applicable) into approved containers and dispose of the product and fluids according to local regulations.

Imported by

HARE & FORBES
MACHINERYHOUSE

Australian Distributor

Hare & Forbes
Machineryhouse
Sydney - Melbourne
Adelaide - Brisbane - Perth

Ph: 1300 202 200
www.machineryhouse.com.au

MACHINERYHOUSE

New Zealand Distributor

Machineryhouse
Auckland
Christchurch

Ph: 0800 142 326
www.machineryhouse.co.nz